



www.IBSOPHONE.se

Ibsophone MTII

Diver telephone.



Technical description.

2005-09-01 / CHN.

www.ibsophone.se

General

The diving communication system MTII was developed using the absolute highest construction quality standards and making it the ultimate standard for diving professionals.

It has been in use by the German Navy, Fire departments, Police and in the 'rough' off- and in-shore area for many years where it has proven its outstanding reliability.

The MT2 system allows a tender to communicate with 2 divers as well as communication between the divers. A pre-amplifier is integrated in the diving line to allow trouble free operation with long communication cables and minimizes the risk of radio frequency interference.

The MTII system can be used down to 70m (210ft) of diving depth.

Diver

Diving mask

The dynamic diving microphone is directly integrated in the DIVATOR MKII. The direct integrated construction gives as an outstanding speech quality and minimizing disturbing surrounding noise. The high power loudspeaker (bone conductor) is integrated and secures an outstanding communication.

Communication cable

The communication cable has an integrated water/pressure tight pre-amplifier which allows even long diving lines to be used without communication degeneration. The electrical line connector is easy to adapt and can be connected even under water.

Tender

Headset

The easy to handle headset is equipped with two loudspeakers, which are partly shielded. Therefore the dive attendant is not completed unaware of his surrounding and can easily adapt his action to a change in circumstances. As the microphone is integrated in the headset, both hands are free to serve the diving line or to adjust gain settings of the line amplifier if necessary.

Amplifier unit

The kernel of the diving telephone is the master amplifier. The master amplifier unit is equipped with a special constructed head set which allows the dive attendant several hours of easy communication with 2 divers.

Four (4) gain controls are available to individually adjust the gain setting between the divers and the dive leader. The master amplifier itself is also completely water tight due to its heavy-duty construction. Most of the electrical contacts are gold plated and all metals are seawater proof to ensure an absolute maximum quality and therefore an outstanding reliability. Hence, the maintenance is kept to a very minimum. A special constructed switch, integrated in the master amplifier, allows the dive attendant to communicate with each diver individually or both simultaneously in a very comfortable way.

Distributor

INTERSPIRO

Address

Box 10060
S-181 10 Lidingö
SWEDEN

Telephone

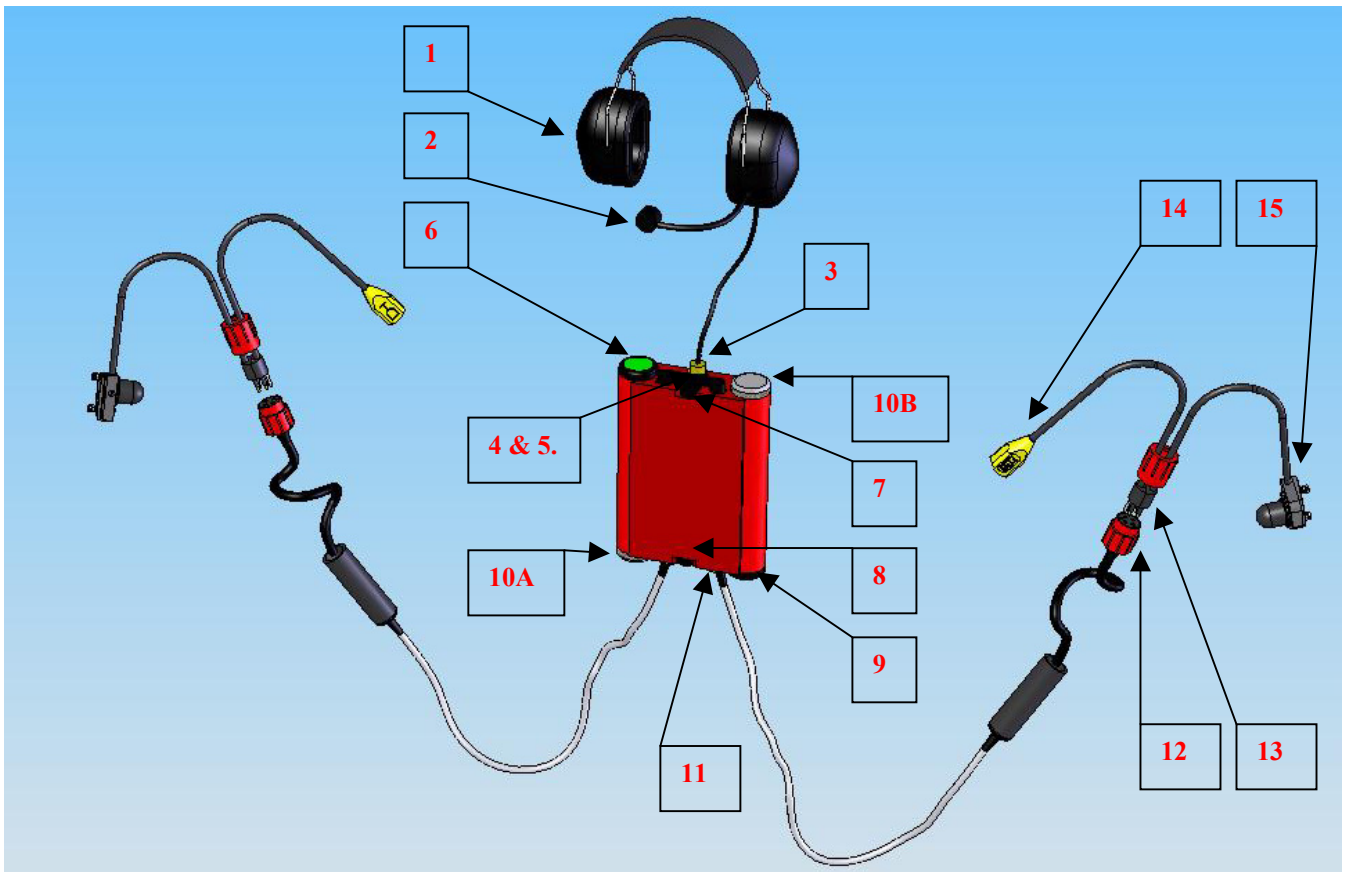
08-636 51 00
+46-8-636 51 00

Fax

08-765 48 53
+46-8-765 48 53

E-mail and Web

info@interspiro.com
www.interspiro.com



Head set

- 1 Headphone
- 2 Microphone
- 3 Connection for headset

Amplifier

- 4 Press-to-talk switch, diver 1
- 5 Press-to-talk switch, diver 2
- 6 Volume control adjustment, tender to the divers
- 7 Volume control adjustment, diver 1 to diver 2
- 8 Volume control adjustment, diver to diver
- 9 Volume control from the divers to the tender
- 10A Batteries 3 * 1,5 V (R14)
- 10B Batteries 3 * 1,5 V (R14)

Communication cable

- 11 Connection for communication cable
- 12 Subcon under water contact, 4 pole, with locking sleeve

Microphones

- 13 Subcon under water contact, 4-pole, halves with locking sleeve.
- 14 Bone conductor
- 15 Diver microphone

Distributor

INTERSPIRO

Address
Box 10060
S-181 10 Lidingö
SWEDEN

Telephone
08-636 51 00
+46-8-636 51 00

Fax
08-765 48 53
+46-8-765 48 53

E-mail and Web
info@interspiro.com
www.interspiro.com

Technical data

Hearing speech setting

Microphone impedance: 200 - 500 ohms
Bone conductor impedance: 150 - 300 ohms

Head set

Microphone impedance: approx 200 ohms
Loudspeaker impedance: approx 15 ohms

Master amplifier IBS MT2

Dimensions 240x173x56 mm (9.5 x 6.8 x 2.2 inch)
Weight 2,8kg
Battery volt. 9V (6 of 1,5)
Current approx. 40mA

Headset

Microphone impedance 200 ohm
Loudspeaker impedance 15 ohm

Diving microphone

Impedance 200-500 ohm

Bone conductor

Impedance 150-300 ohm

Communication cable

Length: approx 95 m, suitable for 71 metres of Interspiros DP1 hose.
Diameter: approx 4,5 mm
Cable diameter: approx 4,4 mm.
Material in cable protection: Polyurethane.
Number of wires: 4.
Type of wire: Multiple copper wire.
Wire area: 0,25 mm².
Wire isolating: TPE.
Screen: Copper.
Max. working voltage: 350 V.
Testing voltage: 1500 V.
Min. bending radius: 7,5 * diameter.
Resistance to oil: Very good.
Temperature range: -40°C to +90°C.

At the end of the communication cable there is a Subcon under water contact, 4-pole, with locking sleeves. The communication cable is used twisted with the Interspiro DP1 surface supply hose, approximately 5-6 twists/metre of hose. If the IBSOPHONE is used without the surface supply hose, the cable shall be replaced with the IBSOPHONE cable integrated lifeline that has a tensile strength of 19600 N.

Distributor

INTERSPIRO

Address

Box 10060
S-181 10 Lidingö
SWEDEN

Telephone

08-636 51 00
+46-8-636 51 00

Fax

08-765 48 53
+46-8-765 48 53

E-mail and Web

info@interspiro.com
www.interspiro.com

User instructions

The diver attendant



The diver attendant is wearing the amplifier, according to the image to the left, and can easily adjust the harness.

The head set connection (3) and the communication cable connections (11) are connected to the amplifier.

The amplifier starts automatically when connecting the headset and communication cable, no additional power-on procedure is required.

The diver



After putting on the mask the bone conductor is fastened under the head harness behind either the left or right ear.



The diver microphone is used in the DIVATOR MKII full face mask and is replacing the cover locking the demand valve.

Distributor

INTERSPIRO

Address

Box 10060
S-181 10 Lidingö
SWEDEN

Telephone

08-636 51 00
+46-8-636 51 00

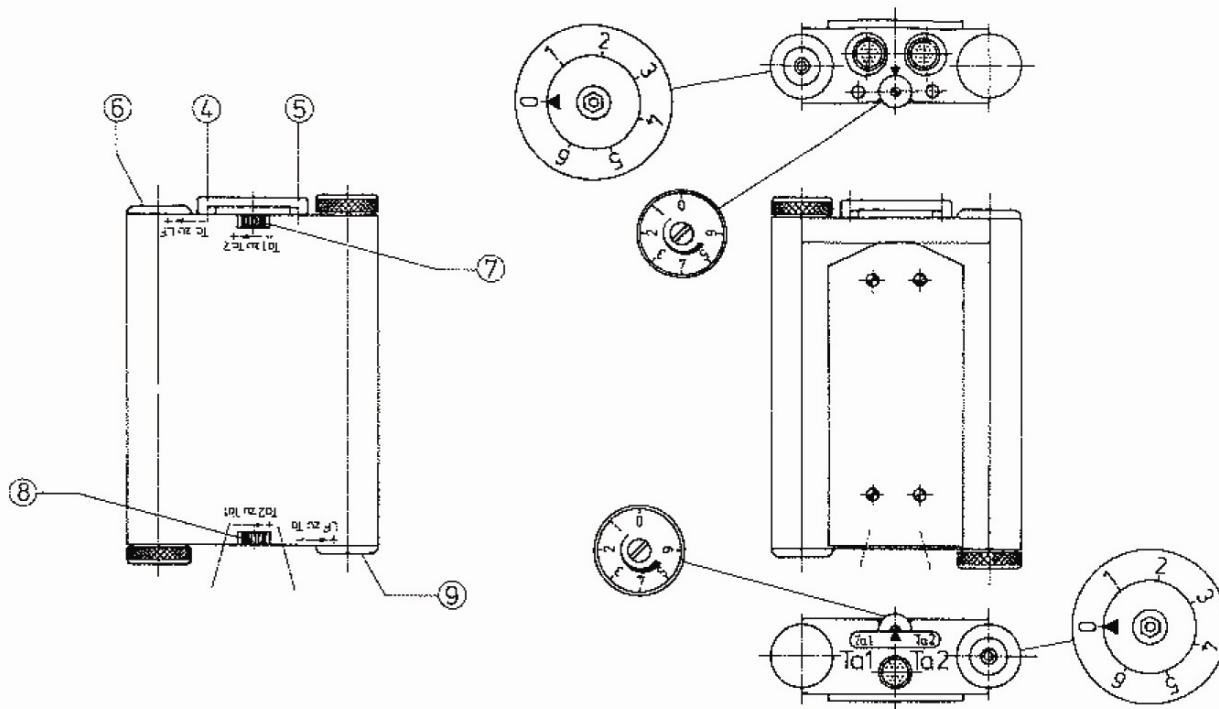
Fax

08-765 48 53
+46-8-765 48 53

E-mail and Web

info@interspiro.com
www.interspiro.com

Amplifier functions



- The tender is hearing the divers all the time.
- The tender presses the press-to-talk switch (4 or 5) and the addressed diver should here the tender.
- If both divers are to be addressed at the same time, the centre of the press-to-talk switch (4 and 5) should be pressed.
- The volume controls are (6), (7), to (8) and (9). The upper volume control (6) is determining for the volume of the tender to the divers and the lower volume control (9) controls the volume of the speech transmission from the divers to the tender. The upper, front volume control (7) controls the volume of diver 1 to diver 2 and the lower, front volume control (8) from diver the 2 to diver 1.

Appendix of spare part

NATO supply NR.

5830-12-314-6753

5965-12-314-7940

6965-12-314-8246

5965-12-314-8247

Order NR.

336 290 951

336 290 952

336 290 957

336 290 955

Article indication

Amplifier unit IBS MTII

Head set IBS MTII

Bone conductor IBS MTII

Diver microphone IBS MTII

Distributor

INTERSPIRO

Address

Box 10060
S-181 10 Lidingö
SWEDEN

Telephone

08-636 51 00
+46-8-636 51 00

Fax

08-765 48 53
+46-8-765 48 53

E-mail and Web

info@interspiro.com
www.interspiro.com